

21A SERIES



Date : 2014/06/19



21A Series Controller Description

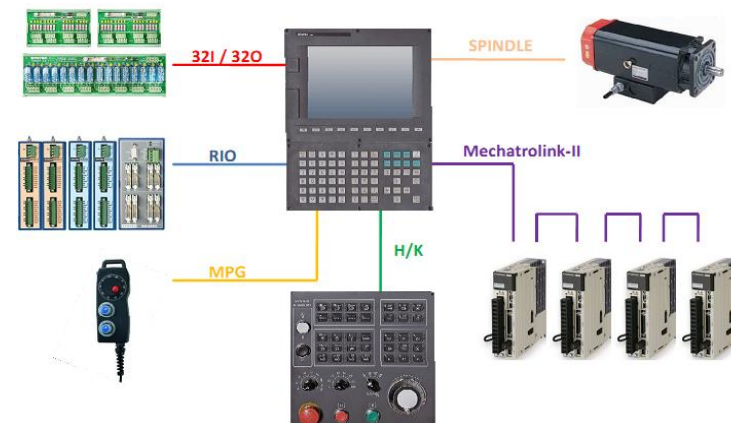
The Syntec 21A Series Controllers uses the Yaskawa Mechatrolink-II serial (bus) communications control method, which not only improves upon the problems traditional general pulse-type controllers have in terms of wiring and scalability, but also makes the system simpler, more scalable, and easier to assemble.

The 21A Series can control a maximum of 6 servo motor axes simultaneously. In terms of I/O, besides the 32 Direct Input and Output provided by the controller itself, the RIO serial interface can also be used to connect to external I/O modules, allowing customers to decide whether or not to add RIO modules based on their IO needs, thereby providing an even higher degree of flexibility.

The spindle output can be chosen to be serial communication based, DA based, or pulse command based. Besides the serial spindle options, other more economic spindle solutions are also available.

- Lathes come standard with 3 sets of axial
- Millers come standard with 6 sets of axial
- Spindle commands: support 2DA, pulse, serial (select 1 out of 3)
- Comes standard with 32I/32O, with the option to expand to up to 96I/96O
- Supports 8 and 10.4 inch full-color backlit LED displays
- The front frame has an industrial waterproof design, with many optimized operation panels to choose from according to your requirements
- Built-in open PLCs and MACROs
- Real-time power outage data storage
- Many optimized operation panels to choose from according to your requirements
- Handheld MPG port
- International safety certification
- Many types of serial ports: RS-485, EtherNET
- Hot-swappable USB port available at the front.

■ 21A Series Architecture



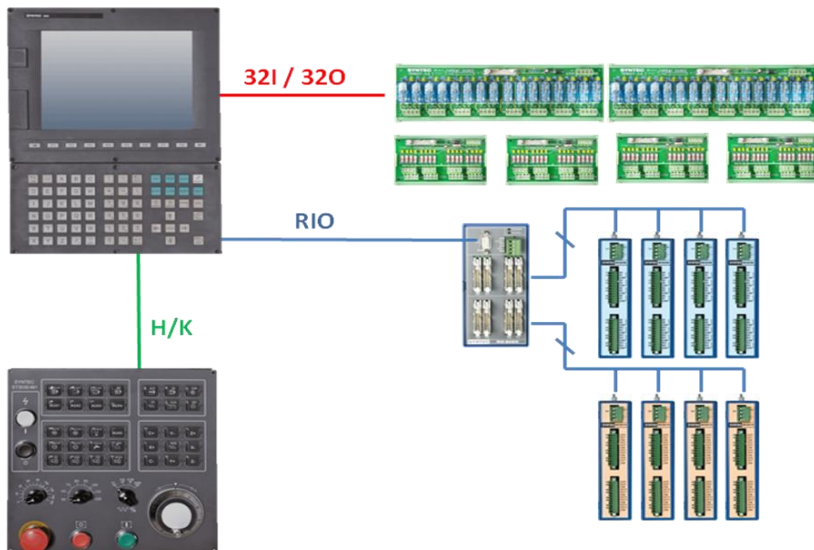
Product Features

- **Mechatrolink-II Architecture: dedicated network for high-speed motion control**

High-speed serial bus, simple wiring and strong noise suppression capabilities.



- **IO Architecture**



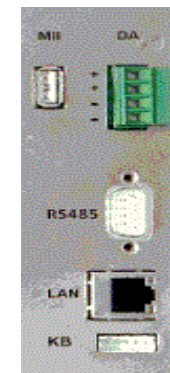
- **Complete System Functionality**

The system provides complete lathing and milling functionalities, a simple windows-based operating interface that is easy to learn to use, and precise synchronous movement interpolation, allowing users to easily produce perfected work pieces.



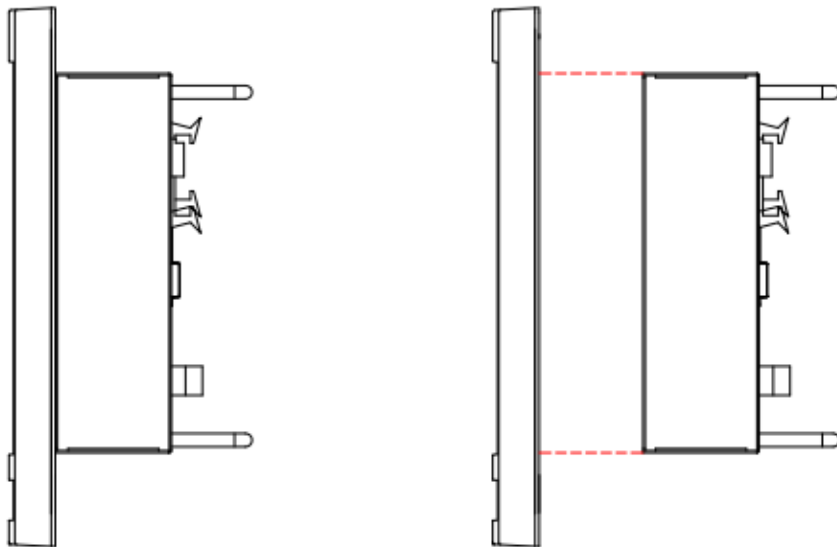
- **Advanced Transmission Mechanism**

In addition to the traditional RS-485 interface, the system also has an advanced 10/100 MHz Ethernet port as well as hot-swappable USB ports, which boost software transmission speeds as well as enhance convenience and stability.



■ Easily Maintainable System Architecture

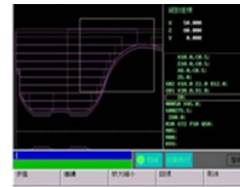
This next-generation controller is built using high-density integration technologies and incorporates an extremely well-thought-out design. Its compact and modular design allows on-site personnel to easily perform maintenance with just a single screwdriver.



■ User-Friendly Operation Interface

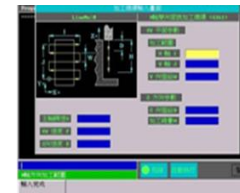
□ Simulation

- Syntax check
- 3D simulation and step simulation
- Magnify at any ratio
- Integrated environment that can also check trajectory coordinates and program contents



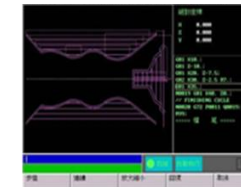
□ Graphical Dialogue

- X/Y axis single/dual-direction surface milling cycles
- Track-type/square-type/round-type trench processing cycles
- Round-hole/angled-line hole/curved-hole checkerboard hole drilling cycles



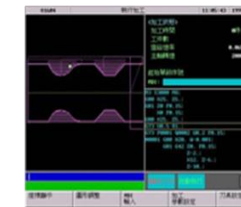
□ Multi-pocketed Complex Cutting cycle

- The user only needs to enter the external appearance of the work piece, and the CNC will automatically figure out the cutting path and cycle
- Can be used with A, R, and C
- Can perform multi-pocketed processing with one run of the program



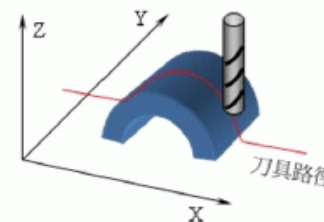
□ Processing execution

- Integrated operation environment
- Processing parameter configuration
- Program coordinate and cutting tool configurations are made on the same page



□ Hand Wheel Processing Simulation

- The MPG can be used to control software processing speeds
- Rotate the MPG forwards/backward to move the cutting tool forwards/backwards along its path
- Turn the MPG to fast and the cutting tool will move faster along its path
- Turn the MPG to slow and the cutting tool will move slower along its path
- Turn the MPG to stop and the machine will stop



Thoughtful Diagnostic and Development Tools

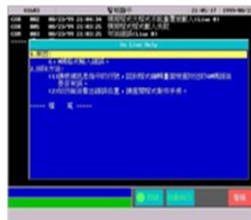
On line ladder

- I, O, C, S inspection page
- Real-time Ladder display
- Search for components
- The PLC can issue alert messages in Chinese and English



Alert records

- Records 200 alert messages in the alert history, with dates, hours, minutes, seconds, and alert content
- Capable of further displaying reason for malfunction and methods used for troubleshooting



Parameter Settings

- Parameter group configuration
- Comprehensive descriptions of the meaning of parameters
- Password protection
- Supports user-defined parameters



Production Records

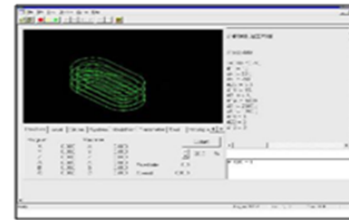
- Provides complete records for 100 completed processing programs, including the program name, start time, total processing time, as well as number of work pieces
- Monitors the production rate of programs in execution



Complete Software Application Support

MACRO Support

- Windows based Macro development environment
- Can communicate with the PLC via register bits
- Completely compatible with CNC operating environments



- Open and store files
- Step simulation and three-view diagram simulation
- System parameter and variable configuration

Ladder Support

- Windows based PLC software development
- Online Ladder display, making troubleshooting easier
- PLC executes servo movement commands



Editing Function Table

- Open file, save file
- Add Ladder footnote (Chinese and English)
- Cut, copy, paste
- Search,...
- Syntax check

Macro Syntax

Logic Computation Command

- ◆ AND, OR, XOR, ...
- ◆ +, -, ×, /, ...
- ◆ <, =, >, ...

Digit Function Command

- ◆ SIN, COS, TAN, ...
- ◆ ASIN, ACOS, ATAN, ...
- ◆ SQRT, ...
- ◆ MAX, MIN

Structural Process Control Command

- ◆ GOTO
- ◆ IF < > THEN
END_IF
- ◆ WHILE < > DO
END_WHILE
-

Ladder Syntax

- ◆ Contact point: normally open, normally closed
- ◆ Coil: normally open, normally closed, positive edge, negative edge, always return
- ◆ Arithmetic commands:
- ◆ Timer, counter
- ◆ Data movement: MOV
- ◆ Cutting tool commands: ROT
- ◆ Software control commands: JMP, JSR
- ◆ Call subroutine
- ◆ Directly execute PLC shaft movement commandSpecify PLC shaft for executing movement program instruction.....

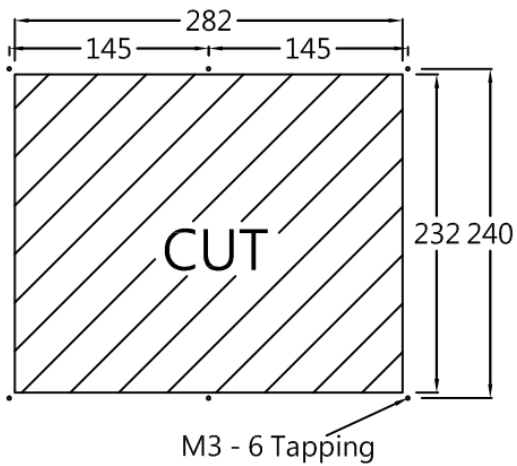
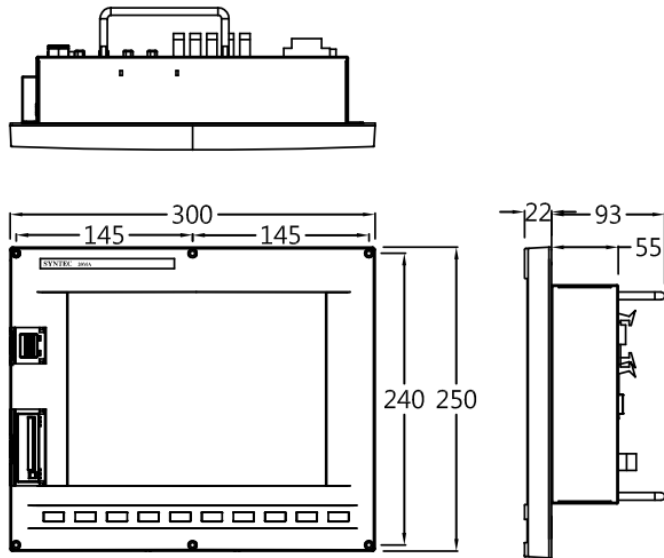
■ External Appearance of the Product (21A-SEP-DG)



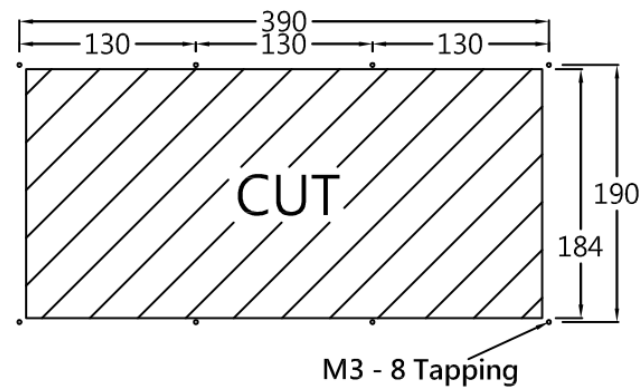
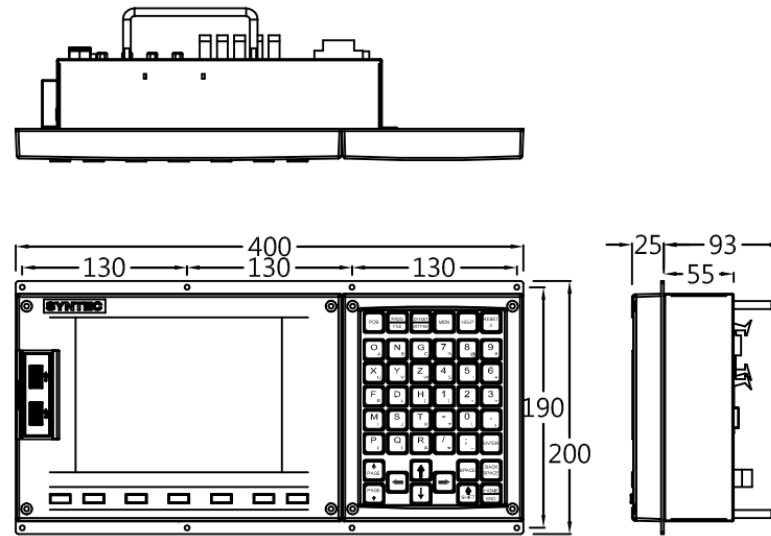
■ External Appearance of the Product (21A-DG)



■ Structural Dimensions (21A-SEP-DG)



■ Structural Dimensions (21A-DG)



■ Connector Interface Definitions

Please mind the voltage values as well as positive and negative polarities

● X1 Connector Definitions

X1	PIN	SIGNAL	PIN	SIGNAL
	20	INPUT8	19	INPUT0
	18	INPUT9	17	INPUT1
	16	INPUT10	15	INPUT2
	14	INPUT11	13	INPUT3
	12	INPUT12	11	INPUT4
	10	INPUT13	09	INPUT5
	08	INPUT14	07	INPUT6
	06	INPUT15	05	INPUT7
	04	GND	03	GND
	02	---	01	---

● X2 Connector Definitions

X2	PIN	SIGNAL	PIN	SIGNAL
	20	INPUT24	19	INPUT16
	18	INPUT25	17	INPUT17
	16	INPUT26	15	INPUT18
	14	INPUT27	13	INPUT19
	12	INPUT28	11	INPUT20
	10	INPUT29	09	INPUT21
	08	INPUT30	07	INPUT22
	06	INPUT31	05	INPUT23
	04	GND	03	GND
	02	---	01	---

● Y1 Connector Definitions

Y1	PIN	SIGNAL	PIN	SIGNAL
	20	OUTPUT8	19	OUTPUT0
	18	OUTPUT9	17	OUTPUT1
	16	OUTPUT10	15	OUTPUT2
	14	OUTPUT11	13	OUTPUT3
	12	OUTPUT12	11	OUTPUT4
	10	OUTPUT13	09	OUTPUT5
	08	OUTPUT14	07	OUTPUT6
	06	OUTPUT15	05	OUTPUT7
	04	GND	03	GND
	02	24V	01	24V

● Y2 Connector Definitions

Y2	PIN	SIGNAL	PIN	SIGNAL
	20	OUTPUT24	19	OUTPUT16
	18	OUTPUT25	17	OUTPUT17
	16	OUTPUT26	15	OUTPUT18
	14	OUTPUT27	13	OUTPUT19
	12	OUTPUT28	11	OUTPUT20
	10	OUTPUT29	09	OUTPUT21
	08	OUTPUT30	07	OUTPUT22
	06	OUTPUT31	05	OUTPUT23
	04	GND	03	GND
	02	24V	01	24V

● RIO Connector Definitions

RIO	PIN	SIGNAL	PIN	SIGNAL
	1	RIO_1_Tx+	6	RIO_2_Tx+
	2	RIO_1_Tx-	7	RIO_2_Tx-
	3	RIO_1_Rx+	8	RIO_2_Rx+
	4	RIO_1_Rx-	9	RIO_2_Rx-
	5	NC ²		


● HK Connector Definitions

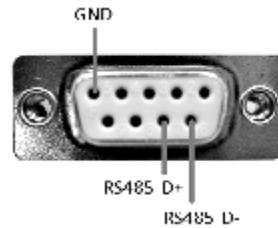
HK	PIN	SIGNAL	PIN	SIGNAL
	26	---	25	XDI55
	24	XDI54	23	XDI53
	22	XDI52	21	XDI51
	20	XDI50	19	XDI49
	18	XDI48	17	5V
	16	GND	15	XDO62
	14	XDO61	13	XDO60
	12	XDO59	11	XDO58
	10	XDO57	09	XDO56
	08	XDO55	07	XDO57
	06	XDO53	05	XDO52
	04	XDO51	03	XDO50
	02	XDO49	01	XDO48

● SPINDLE Connector Definitions

SPINDLE	PIN	SIGNAL
	1	DA-
	2	DA-
	3	DA+
	4	DA+


- RS485 Connector Definitions

RS485 [Ⓢ]	PIN	SIGNAL	PIN	SIGNAL
	1		6	TXD485-
	2		7	TXD485+
	3		8	NC
	4		9	5V
	5	GND		



Wiring-Side RS485 Front
Schematic Diagram

- MECHATROLINK Connector Definitions

MECHATROLINK	PIN	SIGNAL
	1	NC
	2	DATA
	3	DATA
	4	SH

- SP Connector Definitions

SP	PIN	SIGNAL	PIN	SIGNAL	PIN	SIGNAL
	1	A+	6	C-	11	CW+
	2	A-	7	ALM+	12	CW-
	3	B+	8	ALM-	13	CCW+
	4	B-	9	SERVO-ON	14	CCW-
	5	C+	10	SERVO-CLR	15	OUT_COM

- MPG Connector Definitions

MPG	PIN	SIGNAL	PIN	SIGNAL	PIN	SIGNAL
	1	MPG_A+	6		11	XDI 60
	2	MPG_A-	7	XDI56 [Ⓢ]	12	XDI 61
	3	MPG_B+	8	XDI 57 [Ⓢ]	13	XDI 62
	4	MPG_B-	9	XDI 58 [Ⓢ]	14	GND
	5		10	XDI 59 [Ⓢ]	15	+5V

■ 21A Series Product Specifications

○ Standard – Not supported △ Optional

Product Specifications		
Model	21TA	21MA
Control command format	Serial	
Largest main system axis group	2	
Largest PLC axis group number	1	
Standard control axis number	3	6
Maximum control axis number (optional)	3	6
Maximum spindle number	2	4
Maximum synchronous control axis number (single axis group)	3	4
Smallest unit of control - mm	0.0001	
Maximum number of work piece coordinate sets	32	100
Maximum number of tool compensation sets	96	
Number of pre-read single-sections	1000	
Single-section processing time – number of single sections / seconds	300	1000
Hardware Specifications		
I/O (standard)	32/32	
I/O (optional)	–	96/96
DA	2	
Display	8/10.4	
RJ-45	1	
VGA output	–	

PS/2	–	
RS232/RS422/RS485	–/–/1	
CF card	–	
USB	2/1	
Compensation		
Model	21TA	21MA
Backlash compensation	○	
Pitch error compensation	○	
Angle compensation	○	
Temperature-rise compensation	○	
Two-dimensional compensation	–	○
Operation		
MPG simulation	○	
Program idle	○	
Selective stop	○	
Single-section execution	○	
Virtual MPG	○	
Pause point activation	○	
Break point activation	○	
External offset settings	○	
MPG offset function	–	○
Program Input		
Selective jump	○	
B-stop / end of program	○	
Interrupt-type MACRO (M96/M97)	–	
M198 subroutine call	–	
G code expansion	○	

High-Speed, High-Precision		
Model	21TA	21MA
Constant Jerk control	○	
Cross-section S-curve acceleration and deceleration	–	○
Automatic corner deceleration	○	
Circular radius speed limit	○	
Multiple sets of high-speed high-precision parameters	–	○
Fast user parameters	–	
SPA function	–	○
Virtual circular radius function	–	
High-speed high-precision control mode I (G05.1Q1)	–	○
High-speed high-precision control mode II (G05P10000)	–	△
NURBS interpolation	–	△
Tool and Blade Management		
Automatic blade calibration	–	○
Tool and blade usage life management	○	
Supportive Functions		
Mechanical lock (R-bit)	○	
Software cycle limit	○	
Spindle rotation speed detection	○	
Axial coupling function	–	○
Dynamic axial coupling function	–	○
Feedback coupling function	○	–
Fast tapping retraction	○	
Virtual axis function	–	○
Axis swapping function	○	
Serial machine swapping function	○	

Fast controller-based spindle positioning (C61)	○	
Fronnd and back Dipole architecture	○	
Data backup and restoration (MB)	○	
Boot screen customization	○	
Favorites	–	○
Project protection function	–	○
Access privilege management	–	○
RemoteAP monitoring	○	
Programming		
Background editing	○	
Editing protection	○	
Data Transfer Function		
NETWORK/FTP	○/○	
DNC(Network)	○	
DNC(USB)	–	○
Information Display		
Graphical simulation	○	
Optical scale missing pulse self-diagnostics	○	
Five-Axis Function		
Five-axis blade tip control (RTCP)	–	
Characteristic coordinate system (tilted-surface processing) (G43.4)	–	
Characteristic coordinate system training (G68.2)	–	
Smooth blade tip function (Smooth TCP)	–	

■ G Code Commands

Model	21TA
Elliptical cutting (clockwise) (G02.1)	○
Parabolic cutting (clockwise) (G02.2)	○
Cylindrical interpolation (G07.1)	○
Activate polar coordinate interpolation (G12.1)	○
External radius / internal radius lathing and cutting cycle (G20)	○
Threaded lathing and cutting cycle (G21)	○
Threaded lathing and cutting mid-phase blade entry cycle (G21.2)	○
Edge and surface lathing and cutting cycle (G24)	○
Jumping function (G31)	○
Thread cutting (G33)	○
Variable-pitch thread cutting (G34)	○
Blade tip control (G43.4)	—
Polygonal cutting (G51.2)	○
Blade calibration for tilted surface processing (G53.1)	—
Operating coordinate system configuration (G54~G59.9)	○
Mirroring function (lathe) (G68)	○
Tilted surface processing (G68.2)	—
Duplex cutting cycles (G72~G78)	○
Fixed drilling cycles (G80,G83~G89)	○
Default absolute zero coordinated system (G92.1)	○
Inversed time feed (G93)	○
Equal surface cutting speeds (G96)	○
Spindle synchronization function (G114.1)	○
Spindle bearing function (G114.3)	○

Model	21MA
High-speed high-precision mode (G05)	○
Path smoothing mode (G05.1)	○
NURBS curve interpolation (G06.2)	○
Thread cutting (G33)	○
Automatic blade measurement command (G37)	—
Blade offset (G45~G48)	○
Tilted surface processing (G68.2)	○
High-speed pecking-type drilling cycle (G73)	○
Left-handed tapping cycle (G74)	○
Fine boring cycle (G76)	○
Drilling cycle (G81)	○
Suspended hole-bottom drilling cycle (G82)	○
Pecking-type drilling cycle (G83)	○
Tapping cycle (G84)	○
Drilling cycle (G85)	○
High-speed drilling cycle (G86)	○
Backside fine boring cycle (G87)	○
Semi-automatic fine boring cycle (G88)	○
Suspended hole-bottom boring cycle (G89)	○

■ 21A Series Operating Environment

Model	21A Series
Operating environment	-10 ~ 55°C
Storage environment	-40 ~ 70°C
Cooling method	Natural Cooling
Safety certification	CE
Operating voltage	100V~240V, 60Hz
Power consumption	Approximately 5W